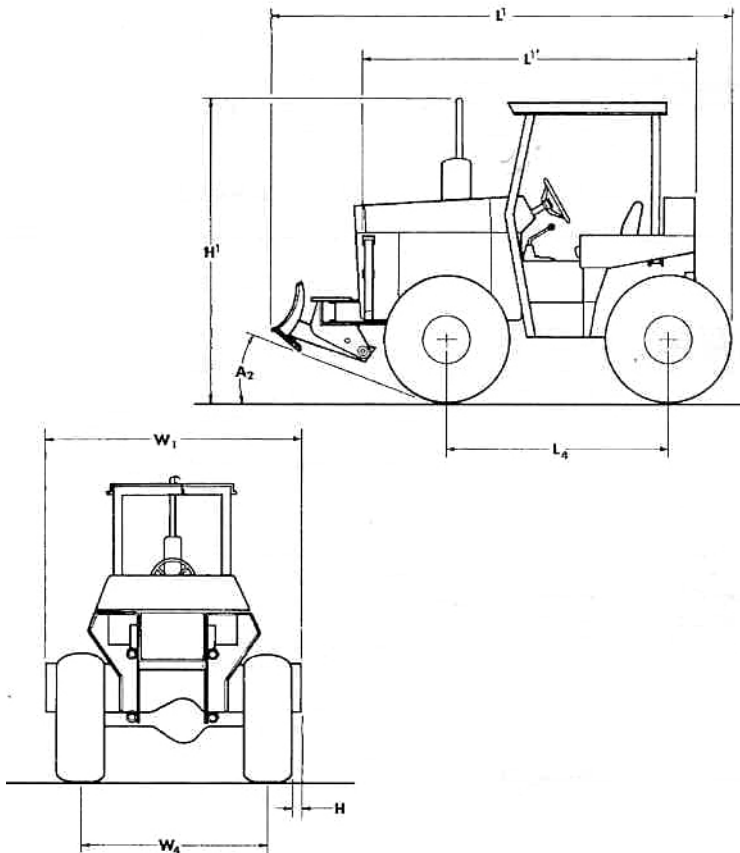


SPECS 6510



SPECIFICATION: 6510

DIMENSIONAL*:

U.S.

METRIC

A2. angle of approach.....	18° (26°).....	18° (26°)
H. overhang beyond tire.....	1.5 in (0).....	38mm(0)
H1. operating height.....	95.9 in (98.5).....	2426mm(2502)
L1. basic unit length-transport.....	133 in (141).....	3379mm (3582)
L1'.length-front to back		
Boss mount.....	107 in (107).....	2718mm(2718)
L4. wheelbase.....	70 in (72).....	1778mm (1829)
W1. width-transport.....	72 in (77).....	1829mm (1956)
W4. tread	53.75 in (59).....	1365 mm (1499)

* dimensions are based on unit equipped with backfill blade and 31 x 15.50-15, 8-ply bar lug flotation tires. Numbers in parentheses are for 16.5L-16.1, 6-ply bar lug flotation tires.

Note: with most rear attachments a spacer is required when 16.5 x 16.1 tires are used. Length from front to back boss mount on spacer is 115 in (2921mm).

GENERAL:

Ditch Witch Model 6510, 4-wheel drive, rigid frame, ground drive through rubber tires, conventional front wheel dual cylinder power steering (optional 4-wheel steering), riding basic unit.

OPERATIONAL:

U.S.

METRIC

Vehicle speeds @ 2550 rpm with 31 x 15.50-15 tire (16.5L-16.1 tire)

Maximum transit forward

1 st gear.....	2.3mph (2,8).....	3,7kph (4,5)
2 nd gear.....	3,8 mph (4,6).....	6,1 kph (7,4)
3 rd gear.....	6,5 mph (7,9).....	10,4 kph (12,7)
4 th gear.....	9,2 mph (11,2).....	14,7 kph (18,0)
Maximum transit reverse	2,0 mph (2,4).....	3,2 kph (3,8)
Crowd speed, (high range).....	0 to 62 fpm (75).....	19 mpm (23)

Maximum backfill speed

1 st gear.....	2,3 mph (2,8).....	3,7kph(4,5)
2 nd gear.....	3,8 mph (4,6).....	6,1 kph (7,4)



Vehicle speeds @ 2400 rpm, 31 x 15.50-15 tire (16.5L-16.1)
 Maximum transit forward

1 st gear.....	2.2mph (2,7).....	3,5kph (4,3)
2 nd gear.....	3,6 mph (4,4).....	5,7 kph (7,0)
3 rd gear.....	6,2 mph (7,6).....	9,9 kph (12,2)
4 th gear.....	8,7 mph (10,6).....	14,0 kph (17,0)
Maximum transit reverse	1,9 mph (2,3).....	3,0 kph (3,7)
Crowd speed.....	0 to 59 fpm (72).....	18 mpm (22)

Maximum backfill speed

1 st gear.....	2,2 mph (2,7).....	3,5 kph (4,3)
2 nd gear.....	3,6 mph (4,4).....	5,7 kph (7,0)

Vehicle clearance circle (SEA), 31 x 15,50-15 tire (16.5L-16,1)

Front steer.....	41,0 ft (40,2).....	12,5 m (12,2)
4-wheel steer.....	28,6 ft (28,0).....	8,7 m (8,5)

Max. allowable operating weight.....12000 lb.....5444 kg

Basic unit weight w/o attachments and backfill

Blade with 31 x 15,50-15 tire and 175 lb (79 kg) operator.....5500 lb.....2495 kg

Operator orientation-facing front of vehicle in full view of all operations

POWER OPTIONS:

U.S.

METRIC

Engine (deutz F4L912) diesel

Cooling medium-air

Number of cylinders-4

Displacement.....230 in3.....3770 cm3

Bore.....3,94 in100 mm

Stroke.....4,72 in.....120 mm

*maximum tilt angle,

Fore/ Aft.....24°.....24°

Side.....40°.....40°

Engine manufacturer's gross horsepower

Rating @ 2650 rpm66 hp.....49,2 KW

Maximum governed speed as

Installed (no load).....2550 rpm.....2550rpm

Flywheel horsepower

@ 2400 rpm (full load).....64 hp.....47,7 KW

***exceeding these operating angles will cause engine damage. This DOES NOT IMPLY machine is stable to maximum angle of safe engine operation..**

POWER TRAIN:

Ground drive

Transmissiontransit, (mechanical) 4_ speeds forward and 1 speed reverse with chain and gear drive to axles.

Crowd, (hydraulic) hydraulic drive infinitely variable from zero to maximum with 2 speed ranges (NORMAL & HIGH) through gear reduction to axles.

Clutch.....automotive spring- loaded, foot operated, friction drive.

Service brake.....disc, foot operated

Parking brake.....disc, hand operated

Tires

Standard 31 x 15,50-15 8- ply bar lug flotation

Optional 16,5L-16,1, 6- ply bar lug flotation

Trencher drive

Transmission4- speed with reverse through shock absorbing belt drive to chain drive to head shaft

Clutch.....automotive spring loaded , foot operated , friction drive

Belts....."power band" 3V450

Plow drive

Transmission.....4-speed through shock absorbing belt drive to vibrator drive shaft to vibrator

Clutchautomotive spring loaded, foot loaded, foot operated friction drive

Belts "power band" 3V425