



Technical Data

Accessories >

> Adjustable Pressure Regulators

Drip Irrigazione



DESCRIPTION:

Application







- Bermad adjustable pressure regulator works through a membrane balancing hydraulic power and the spring pressure, and reducing the downstream pressure independently of the upstream pressure variation and of the varying flow-rate

Features

- A higher input pressure than the regulation ones is requested
- Nominal pressure: 10 bar
- Direct adjustable pressure regulation
- Constant downstream pressure
- Immediate response
- Diaphragm and actuator movement by an accurate and steady regulation, prevents diaphragm twisting
- It can be installed in every position
- Simple operations for inspecting and working
- Water temperature: out to 50°C

Materials

- Advanced building materials to ensure durability, a high mechanical resistance, resistance to cavitation, and chemical products
- Body cap and actuator system in polyamide 6 reinforced fiberglass
- Diaphragm: NBR (Buna-N), reinforced Nylon
- Spring: stainless steel

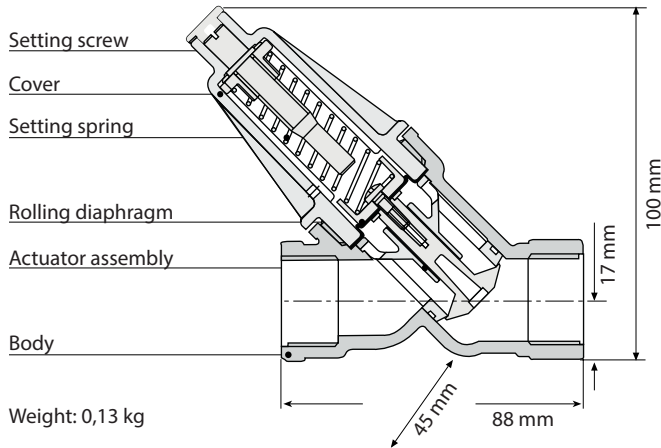
Code	Ø	Bar	Q m ³ /h	
FRP201	¾"	0,8 ÷ 2,5	0,20 ÷ 5	
FRP202	¾"	2 ÷ 4	0,20 ÷ 5	
FRP209	1"	1 ÷ 2	0,45 ÷ 7	
FRP210	1"	1,5 ÷ 3,5	0,45 ÷ 7	
FRP221	1"½	1 ÷ 2	0,45 ÷ 18	
FRP222	1"½	1,5 ÷ 3,5	0,45 ÷ 18	



Technical Data

Accessories >

Technical data 3/4" PRV

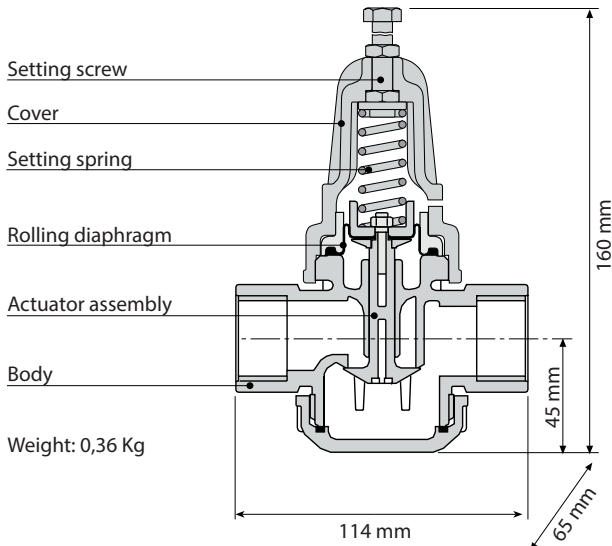


- Size: 3/4"
- End connections: threaded
- Inlet: female BSP
- Outlet: female BSP
- Flow Range: 0,2 ÷ 5 m³/h
- Nominal pressure: 10 bar
- Operating pressure range: 0,7 ÷ 9 bar
- Temperature: water up to 50°C

Material

- Body, cover and actuator assembly: glass-filled nylon
- Diaphragm: NBR (Buna-N), Nylon fabric reinforced
- Spring: stainless steel

Technical data 1" PRV

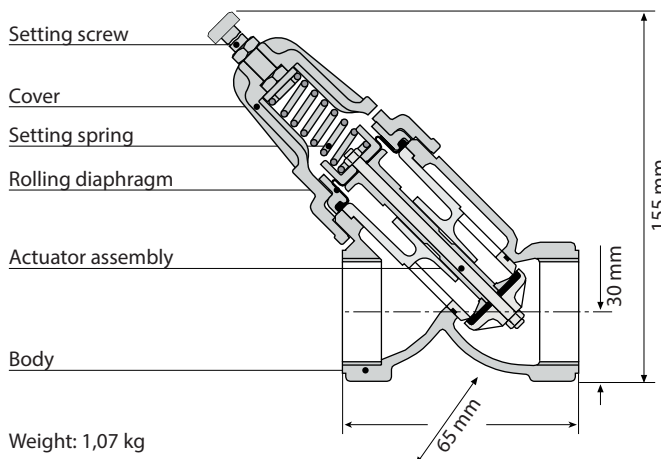


- Size: 1"; DN25
- End connections: female threads BSP
- Flow Range: 0,1 ÷ 7 m³/h
- Nominal pressure: 10 bar
- Operating pressure range: 0,7 ÷ 9 bar
- Temperature: water up to 50°C

Material

- Body, cover and actuator assembly: glass-filled nylon
- Diaphragm: NBR (Buna-N), Nylon fabric reinforced
- Spring: stainless steel

Technical data 1 1/2" PRV



- Size: 1 1/2"
- End connections: female threads BSP
- Flow Range: 0,45 ÷ 18 m³/h
- Nominal pressure: 10 bar;
- Operating pressure range: 0,7 ÷ 9 bar
- Temperature: water up to 50°C

Material

- Body: brass
- Body, cover and actuator assembly: glass-filled nylon
- Diaphragm: NBR (Buna-N), Nylon fabric reinforced
- Spring: stainless steel