

# Technical Data





## Valves > Hansen



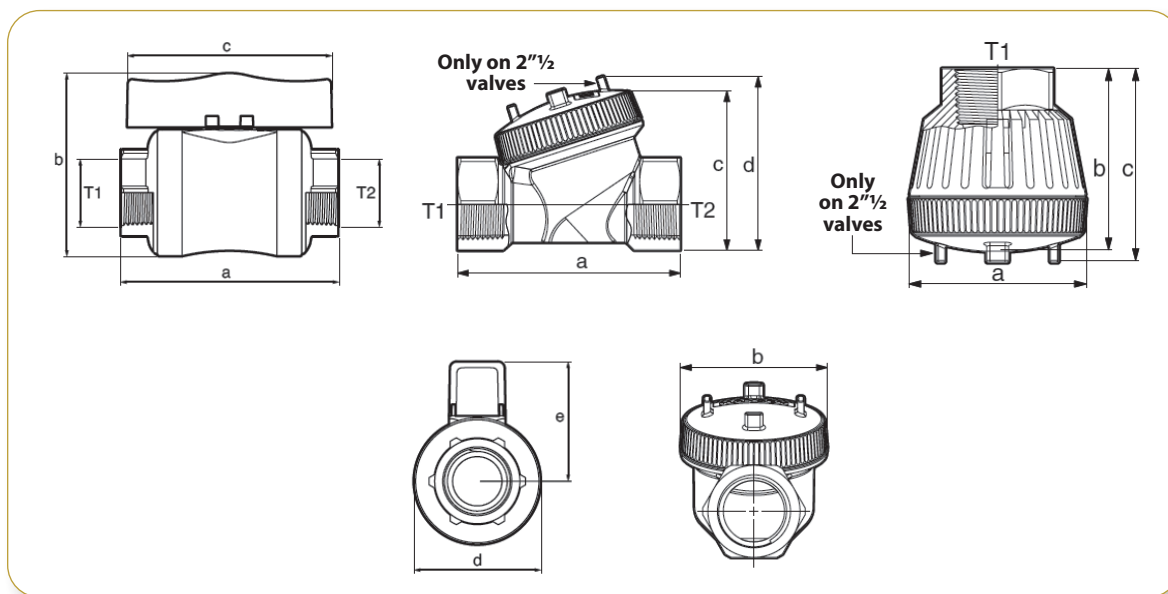
### DESCRIPTION:

#### Materials

- UV resistant
- Body and handle: fiberglass reinforced nylon
- Ball: PP
- Seat: acetal resin (POM)
- Seals: nitril rubber
- Check and foot valve: stainless steel spring-diaphragm: nitril rubber

F/F TOTAL PASSAGE BALL VALVES			M/F TOTAL PASSAGE BALL VALVES			F/F NON RETURN VALVE			F FOOT VALVE		
											
$\emptyset$	Code	PN	$\emptyset$	Code	PN	$\emptyset$	Code	PN	$\emptyset$	Code	PN
1/2"	OHV001	16	1"	OHV022	16	1"	OHV010	10	1"	OHV015	16
3/4"	OHV002	16	1 1/4"	OHV023	16	1 1/4"	OHV011	10	1 1/4"	OHV016	16
1"	OHV003	16	1 1/2"	OHV024	16	1 1/2"	OHV012	10	1 1/2"	OHV017	16
1 1/4"	OHV004	16	2"	OHV025	16	2"	OHV013	10	2"	OHV018	16
1 1/2"	OHV005	16				2 1/2"	OHV014	10	2 1/2"	OHV019	16
2"	OHV006	16									

Valves



#### DIMENSIONS

t1 t2 $\emptyset$	a mm	b mm	c mm	d mm	e mm
1/2"	98	82	93	56	54
3/4"	98	82	93	56	54
1"	111	93	104	65	61
1 1/4"	122	107	112	76	69
1 1/2"	135	124	123	90	79
2"	146	140	131	106	89

#### DIMENSIONS

t1 t2 $\emptyset$	a mm	b mm	c mm	d mm
1"	102	69	72	Na
1 1/4"	122	87	92	Na
1 1/2"	132	99	104	Na
2"	164	123	132	Na
2 1/2"	198	152	Na	178

#### DIMENSIONS

$\emptyset$	a mm	b mm	c mm
1"	69	72	Na
1 1/4"	87	88	Na
1 1/2"	99	99	Na
2"	123	120	Na
2 1/2"	152	Na	156

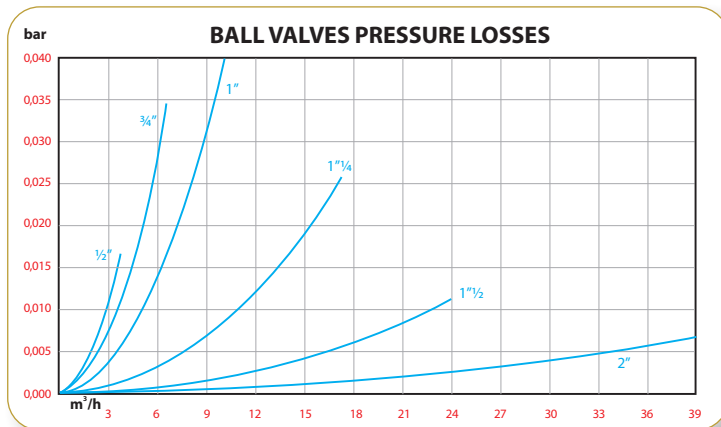


TABLE OF MAXIMUM RESISTANCE TO CHEMICAL SUBSTANCES

Sostanze chimiche	RESISTANCE LEVEL					
	REINFORCED NYLON BODY VALVE			NITRILE RUBBER DIAPHRAGM VALVE		
	GOOD	Ok but keep under control over time	BAD to avoid	GOOD	Ok but keep under control over time	BAD to avoid
Light acid			X			X
Strong acid			X			X
Light organic acids		X			X	
Strong organic acids			X			X
Light bases	X			X		
Strong bases			X		X	
Bleach			X			X
Petrol for cars			X	X		
Automobile lubricants			X	X		
Hydraulic fluids			X			X
Solvents			X		X	
Hydrocarbons			X	X		
Halogens			X			X
Alcohol			X			X
Aldehyde			X			X
Amine			X			X
Ester			X			X
Ether			X			X
Ketone			X			X
Detergents	X			X		
Oxidizing agents			X			X
Light hydrogen peroxide			X		X	
Phenol			X			X

Guidance only as resistance to chemicals varies with concentration and temperature

Valves