

# Technical Data

## Valves > Hansen Levellers



### DESCRIPTION:

#### Application

- **Minifastflo:** small dimensions float - very flexible and easy to install - high deflow-rate and very silent
- **Fastflo:** float with brass arm for a customized application - easy to install, ensures high deflow-rates
- **Superflo:** either PE or acetal or brass body and arm - specific for clean and dirty waters - suit for any application of level control
- **Maxflo:** fiberglass reinforced nylon body float with high flow-rate performances - anti-dirt internal system locking

#### Specifics

- Working pressure: 0 ÷ 12 bar

#### Materials

- UV resistant
- Acetal resin
- Fiberglass reinforced nylon
- Stainless steel and brass
- TPU (Thermoplastic Polyurethane Elastomer) seals
- Polyester cable-PeAD float

TABLE OF MAXIMUM RESISTANCE TO CHEMICAL SUBSTANCES


Chemical substances	RESISTANCE LEVEL		
	ACCEPTABLE	VERIFY PERIODIC	NOT USE
Light acid			X
Strong acid			X
Light organic acids		X	
Strong organic acids			X
Light bases	X		
Strong bases			X
Bleach			X
Petrol for cars			X
Automobile lubricants			X
Hydraulic fluids			X
Solvents			X
Hydrocarbons			X
Halogens			X
Alcohol			X
Aldehyde			X
Amine			X
Ester			X
Ether			X
Ketone			X
Detergents	X		
Oxidizing agents			X
Light hydrogen peroxide			X
Phenol			X

Guidance only as resistance to chemicals varies with concentration and temperature

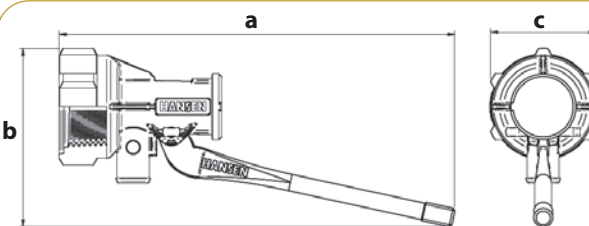
Model	Threaded input	Input adapter	Pressure bar		Q <sub>nom</sub> l/m		Version		
	inches	inches	min	max	2 bar	5 bar	arm	body	ball
Minifastflo	1"	1" x 1/2"	0	12	9				
Minifastflo	1"	1" x 3/4"	0	12	9				
Minifastflo	1"	1" x 1"	0	12	9				
Fastflo	1"	1" x 1/2"	0	12	34	56	long/short		
Fastflo	1"	1" x 3/4"	0	12	34	56	long/short		
Fastflo	1"	1" x 1"	0	12	34	56	long/short		
Superflo	1"	1" x 3/4"	0	12	188	285	long/short	acetal resin/brass	Ø 115/Ø 140
Superflo	1"	1" x 1"	0	12	188	285	long/short	acetal resin/brass	Ø 115/Ø 140
Maxflo	1"	1" x 3/4"	0	12	570	870			
Maxflo	1"	1" x 1 1/4"	0	12	570	870			

### > MINIFAST-FLO

**9 l/m a 2 bar**




F threaded fitting	Code
1/2"	SGL021
3/4"	SGL022
1"	SGL023



DIMENSIONS		
a mm - arm	b	c
short	long	mm
166	266	75
		44

### > FAST FLO

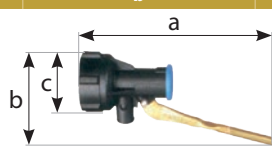
**34 l/m a 2 bar - 56 l/m a 5 bar**



Code	Male-male adapter Ø
SGL050	1" x 1/2" Short
SGL051	1" x 3/4" Short
SGL052	1" x 1" Short
SGL053	1" x 1/2" Long
SGL054	1" x 3/4" Long
SGL055	1" x 1" Long

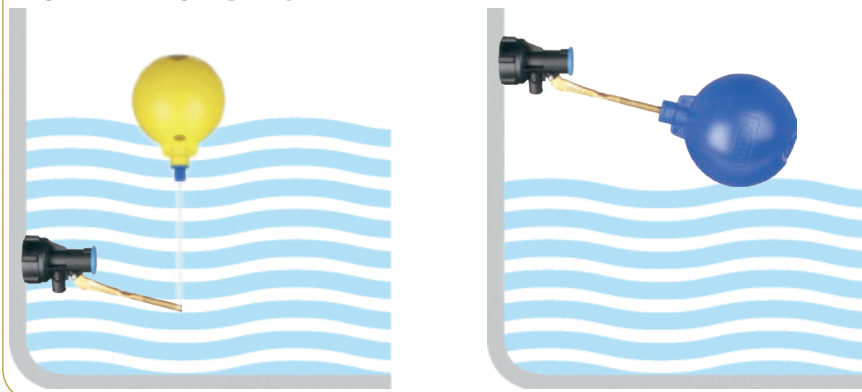
Price includes arm, threaded fitting and adapter  
Floating sphere not included

**DIMENSIONS**



a	b	c
<b>Short arm</b>		
166	75	44
<b>Long arm</b>		
266	75	44

### INSTALLATION DIAGRAM



# Technical Data

## Valves > Hansen Levellers

### > SUPER FLO

188 l/m a 2 bar - 455 l/m a 12 bar

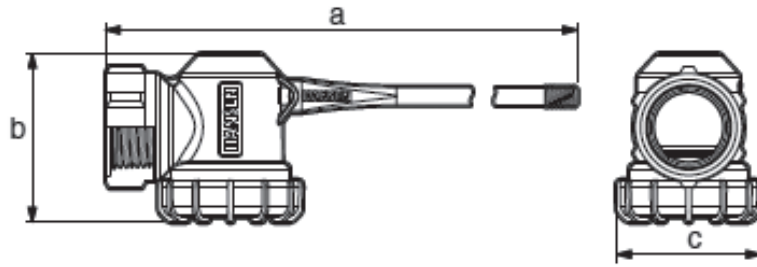


F threaded fitting	Code
1/2"-3/4" Short Nylon	SGL005*
3/4"-1" Short Nylon	SGL015
3/4"-1" Nylon	SGL001
3/4"-1" - Long Nylon	SGL008
1"-3/4" Short Ottone	SGL016
3/4"-1" Ottone	SGL006
1/2"-3/4" Long Ottone	SGL010

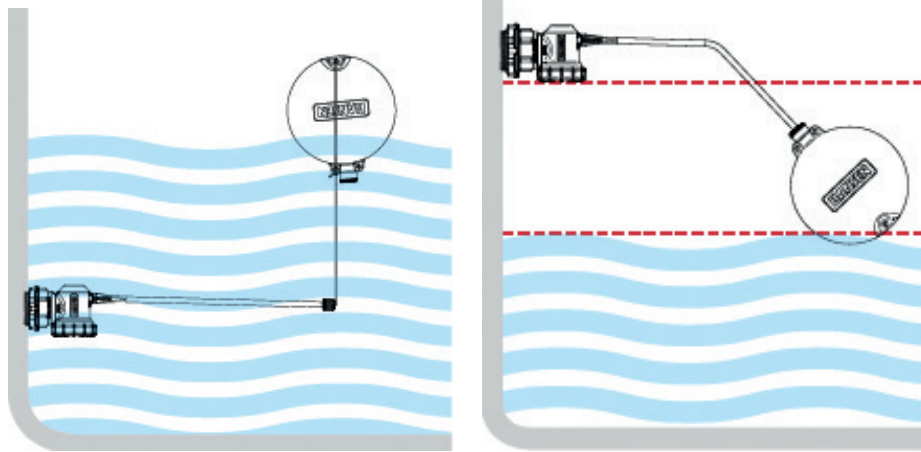
\*While stocks last  
Floating sphere not included

#### DIMENSIONS

a mm	b mm	c mm
376	69	58



#### INSTALLATION DIAGRAM



### > MAX FLO

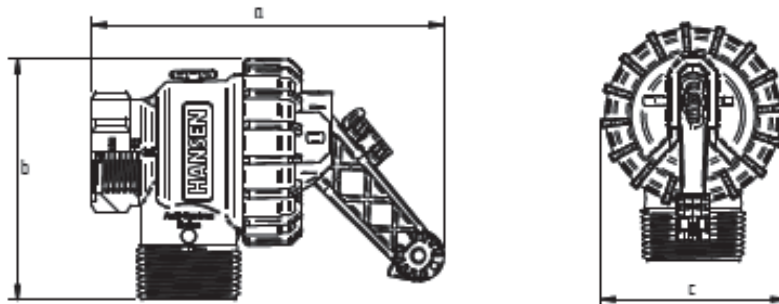
570 l/m a 2 bar - 1.275 l/m a 12 bar



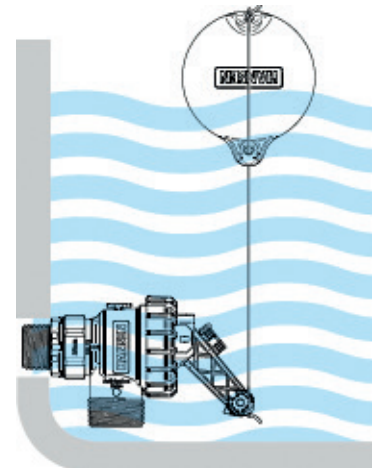
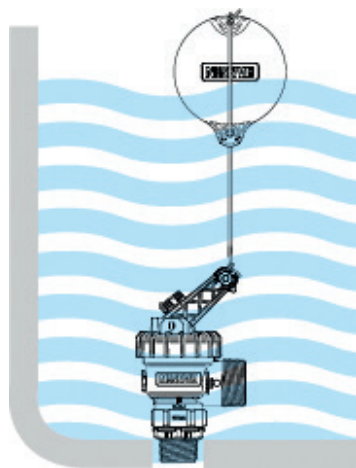
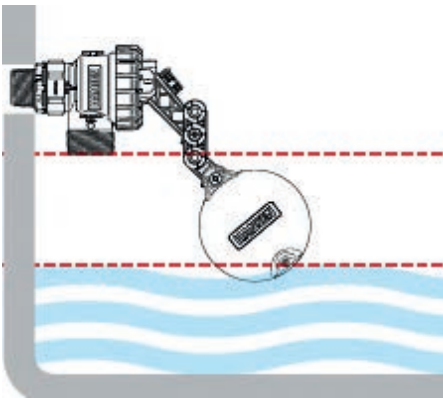
F threaded fitting	Code
¾" x 1" x 1"¼	SGL003
1" x ¾" Long	SGL011
1"¼ x 1" Long	SGL012

#### DIMENSIONS

a mm	b mm	c mm
144	98	76



#### INSTALLATION DIAGRAM



# Technical Data

## Valves > Hansen Levellers



### DESCRIPTION:

#### Application

- **Leveller:** dual intervention float, min and max level (50/100 cm) - supply high flow-rate
- **Slowflo:** limited double intervention float (50/100 cm) - limited and controlled flow-rate
- **Rapidflo:** limited double intervention flow

#### Features

- Floats with double intervention hole for tanks and large volume basins
- Low sensitivity to impurity and dirty water
- Soft driving to handle water hammers

#### Specifics

- Working pressure: 0,2 ÷ 12 bar
- UV resistant

#### Materials

- Acetal resin
- Fiberglass reinforced nylon
- Stainless steel and brass
- TPU seals
- Polyester cables - PeAD float

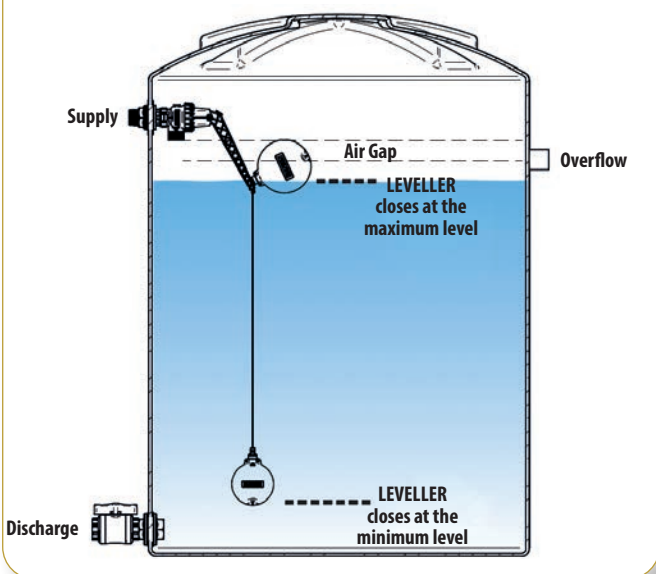
Model	Threaded input inches	Input adapter inches	Min press. bar	Max press. bar	Q <sub>nom</sub> 2 bar l/m
Leveller	1"	1" x 1"	0,2	12	570
Rapidflo	1"	1" x 1/2"	0,2	12	570
Rapidflo	1"	1" x 3/4"	0,2	12	570
Rapidflo	1"	1" x 1"	0,2	12	570
Slowflo	1"	1" x 1"	0,2	12	2

RAPID FLO			SLO FLO			LEVELLER		
								
F thr. fitt.	Code	€	F thr. fitt.	Code	€	F thr. fitt.	Code	€
1/2"-3/4"-1"	SGL060	309,12	1/2"-3/4"	SGL061	309,12	1"	SGL004	250,77

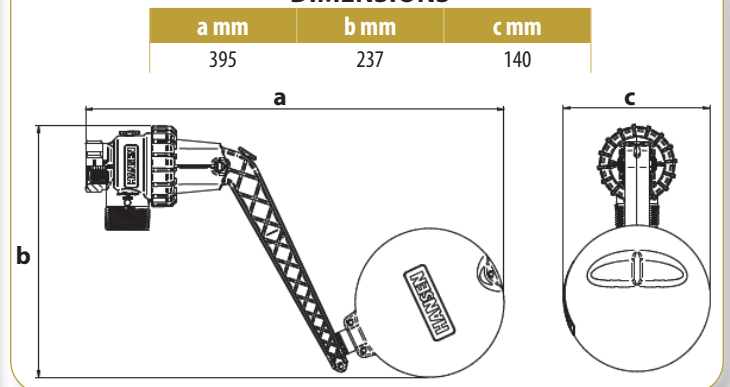
Valves

### > LEVELLER



#### INSTALLATION DIAGRAM



#### DIMENSIONS



### > Hansen Levellers Accessories

MALE THREADED ADAPTERS			FASTFLO FLOAT		SUPERFLO FLOAT	
						
Ø	Code standard body	Code long body	Code	Description	Code	Description
1" x 1/2"	SGLA001	SGLA007	SGL017	Blue threaded ball x SUPERFLO/FASTFLO 115 mm	SGL002	Blue threaded ball for stainless pin Ø 140 mm
1" x 3/4"	SGLA002	SGLA008			SGL013	Yellow threaded ball for stainless pin Ø 140 mm
1" x 1"	SGLA003	SGLA009				
1" x 1 1/4"	SGLA004	SGLA010				
1" x 1 1/2"	SGLA005					
1" x 2"	SGLA006					
All levellers are equipped with male threaded adapters						