

Technical Data

Manual Filters > Hydrocyclon

> Plastic Hydrocyclon Series S

Code	Coupling Ø	Q _{max} m ³ /h
AFL695	2"	15 ÷ 25
AFL696	2"½	25 ÷ 40
AFL697	3"	35 ÷ 52



DESCRIPTION:

Application

- Cyclonic effect filter for sand separation

Specifics

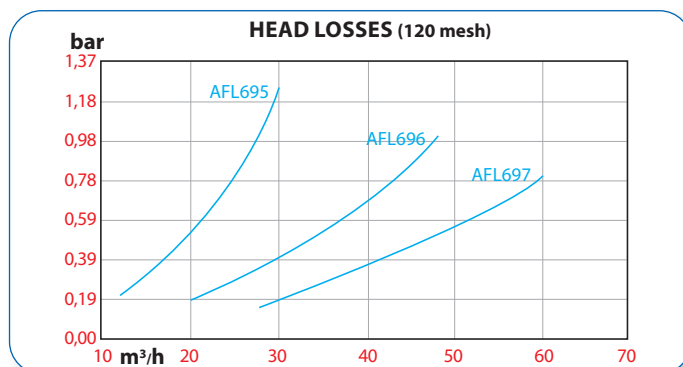
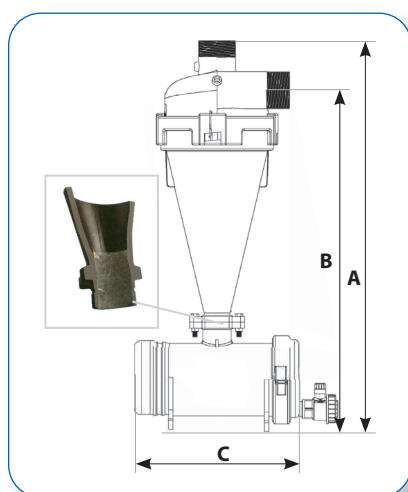
- Maximum pressure: 6 bar
- Couplings: standard threaded, flanged or victaulic on request

Features

- Wholly plastic body
- Inspectable tank for sand collection included
- Discharge valve
- Self-supporting for an easy installation
- Input/output: 90°degrees

Materials

- Body and tank: reinforced polyamide
- Tank closing band: stainless steel
- Seals: EPDM (if any)



Code	Coupling	Flow rate m ³ /h	Dimensions mm			Capacity lt tank	Weight kg
			A	B	C		
AFL695	2" / 50	20 ÷ 28	894	762	395	8	7,2
AFL696	2" / 65	28 ÷ 35	894	770	395	8	7,3
AFL697	3" / 80	35 ÷ 52	942	820	395	8	9,5

ASSEMBLED FITTINGS WITH CONNECTIONS FOR INSTALLATION OF THE VENTURI KIT

Code	Description	Ø
OIV021	Hydrocyclone fittings kit	2"
OIV023	Hydrocyclone fittings kit	3"

